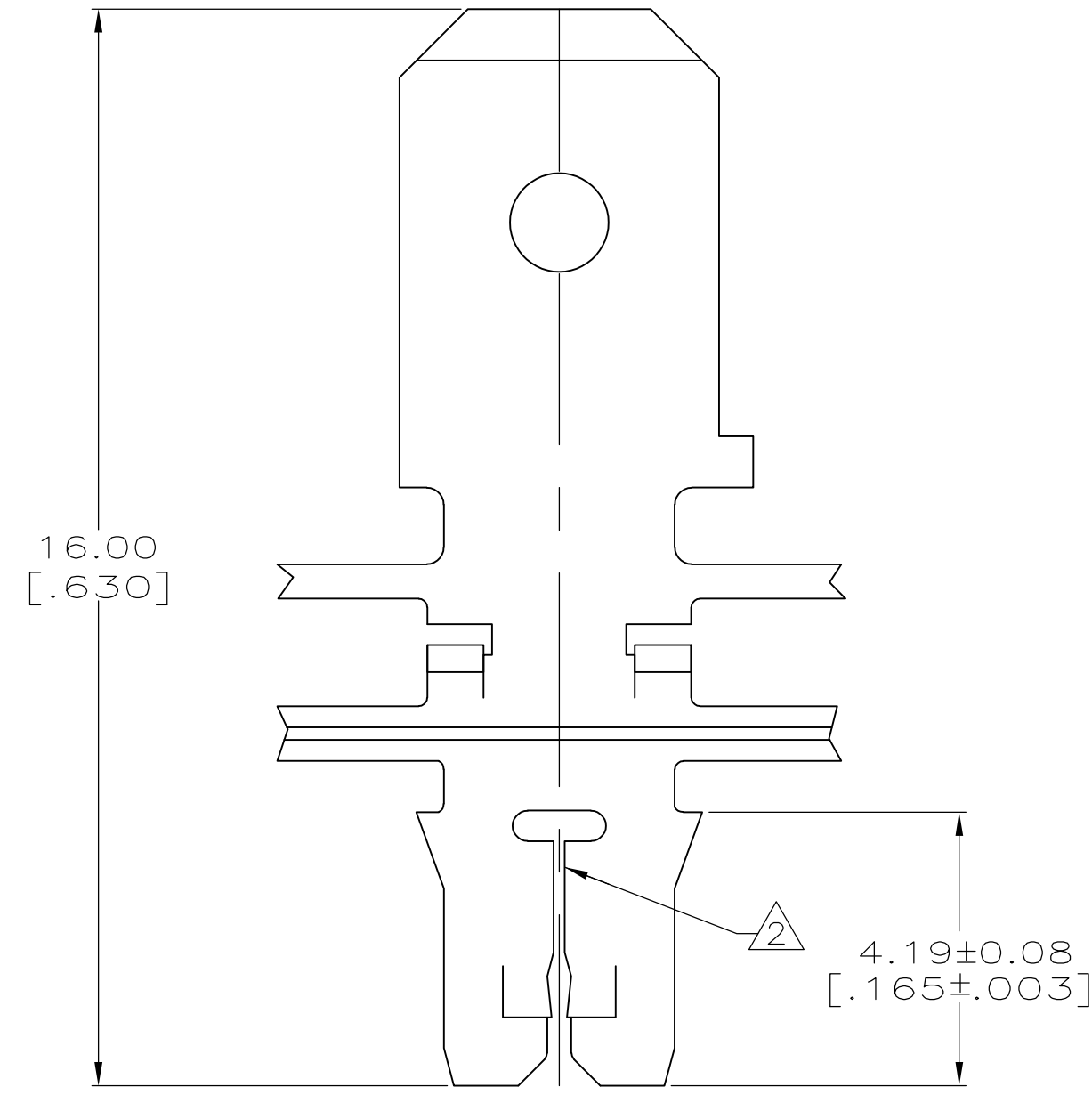
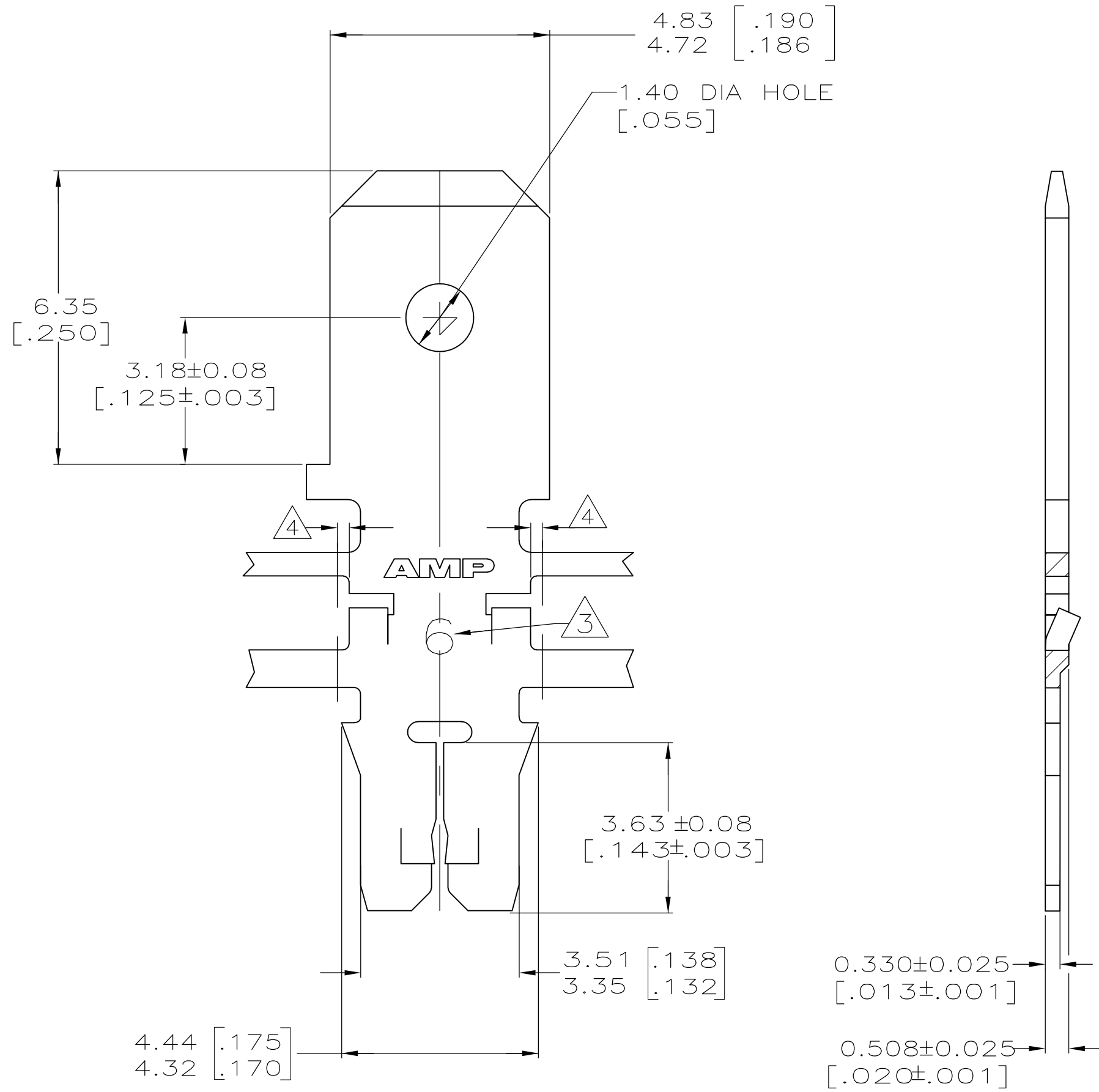


THIS DRAWING IS UNPUBLISHED. RELEASED FOR PUBLICATION
 © COPYRIGHT - By - ALL RIGHTS RESERVED.

LOC	DIST	REVISIONS					
		P	LTR	DESCRIPTION	DATE	DWN	APVD
AF	50	F1		ECR-13-017177	05NOV13	PKS	RRP

- 1 CONTINUOUS STRIP ON REELS WITH LOCATED ON 6.86 ± 0.08 [$.270 \pm .003$]
- 2 SLOT ACCEPTS $0.25-0.32\text{mm}$ [#30-# WIRE. TWO WIRES OF THE SAME SI
- 3 IDENTIFICATION NUMBER 6 FOR THE
- 4 $0.25[.010]$ MAX CARRIER CUT-OFF



OBSOLETE	082 BRASS	63711-2
	4M BRASS	63711-1
	MATERIAL	PART NO.

THIS DRAWING IS A CONTROLLED DOCUMENT.		DWN	L.A.MAYER	9-27-93		TE Connectivity						
DIMENSIONS: INCHES		CHK	M.S. FEHER	9-27-93		NAME						
TOLERANCES UNLESS OTHERWISE SPECIFIED:		APVD	A. HUNT III	9-27-93		TAB, 4.75 [.187] FASTON™						
0 PLC ± - 1 PLC ± - 2 PLC ± 0.13 [.005] 3 PLC ± - 4 PLC ± - ANGLES ± -		PRODUCT SPEC		MAG-MATE™ Slim Line								
MATERIAL SEE TABLE		FINISH		TIN PLATED	SIZE	A2	CAGE CODE	00779	DRAWING NO	C=63711	RESTRICTED TO	-
		CUSTOMER DRAWING		SCALE	10:1	SHEET	1 of 1	REV	F1			